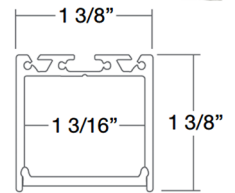
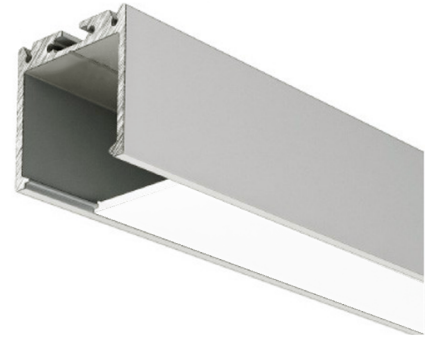


Product Information

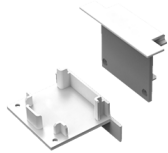
The extruded housing is a high-grade anodized aluminum with a powder coated finish. Standard length is 8.2ft, available for customization 1-8ft and long runs 8ft+. Diffuser is a snap-in acrylic material with matte finish, distributes light evenly. The specifications are based on photometric tests and numbers that are averages from similar type of fixtures.



- LED:** SMD-3528 and SMD-5050 LED strips (cUL, ETL)
- CRI:** 90+
- Light:** 2700K, 3000K, 4000K, RGB, RGB+2700K, RGB+4000K
- Color:** Silver (Standard), Black and White (MOQ, contact us)
- Voltage:** 100-240/277VAC with 24V output
- Driver:** Remote, Class 2 (UL listed)
- Product Type:** Suspended, Recessed, Surface Mounted, Damp Location (contact us)

Accessories

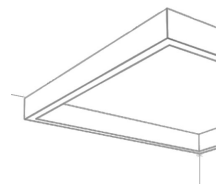
ARA includes the following materials - aluminum housing, lens diffuser, end caps, LED strips, remote power supply and any accessories that are applicable for the selected installation type, such as: suspension kits and long runs. Customization of angles is available, contact us for additional information.



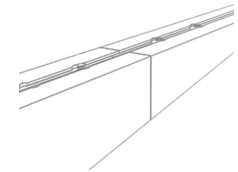
End Caps



Suspension Kit



Custom Angle
(R, SF Only)



Long Runs
(All Types)

Specification

Length	LED Source	Application	Dimming	Controller
1-8 – 1-8' #xx – Longer runs, specify length in 4" increments	1 – 2700K: 11.6W, 400lm 2 – 3000K: Coming Q4 (specs as #4) 3 – 3000K: Coming Q4 (specs as #5) 4 – 4000K: 6.1W, 410lm 5 – 4000K: 12.2W, 810lm 6 – RGB: 9W, 150lm 7 – RGB+2700K: 9W, 230lm 8 – RGB+4000K: 9W, 230lm	S – Suspended R – Recessed SF – Surface Mounted	0 – None 1 – 0-10V 2 – Triac 3 – DMX	0 – None 1 – DMX 2 – Wizard 3 – Luna

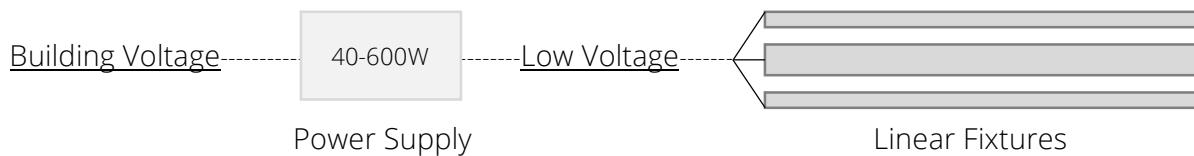
Sample Item Number: CUBO-10-5-S-3-1

Instructions

Proper installation of this product should be done by a certified electrician. All linear fixtures are powered by a remote driver, locate the desired placement and connect building voltage to the power supplies. Supply low voltage wire from the location of the power supplies to linear fixtures. AWG# can range from 8-22 and is based on the distance from remote power supplies to fixtures, consult prior to installing. It is recommended to exercise extra care when handling the product. Use gloves to avoid marks on the fixture and safely store the product at the job site to avoid any dings or damages to the aluminum profile.

Connections

Power supply type and quantity is calculated separately based on the specifications requested. A full quantity of materials will be provided during the quotation process. A single power supply can connect to multiple fixtures, on field wire splitting is required. If needed, lower wattage power supplies are available to connect individual drivers to each fixture.

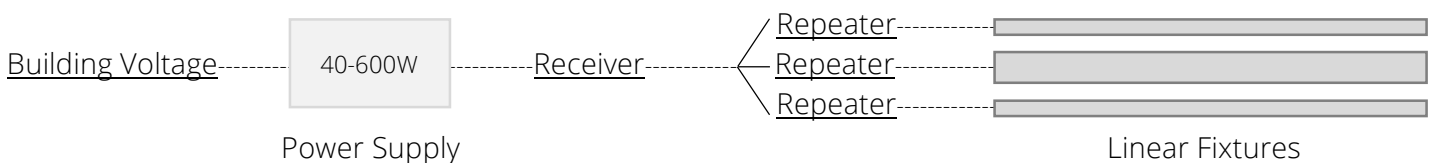


All fixtures will have a 4' low voltage 18-22 AWG 2C-5C (based on specification) wire lead coming from the back of the profile. A request can be made to have the wire feed come from the side of the profile through the end cap instead. The provided low voltage wire may not meet all local electrical code requirements throughout North America, contact us for more information and to request the required wiring.

Controllers

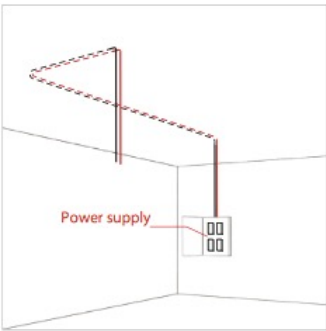
Most industry standard dimmers with 0-10V and Triac type dimming are compatible with all linear fixtures. It is recommended to ensure and check the dimmer compatibility prior to ordering.

DMX, Wizard and Luna: Each zone requires a receiver, zones can have multiple lights that are daisy chained through repeater units, which connect back to the receiver and everything gets powered by the drivers. Custom programming is available for DMX set ups.

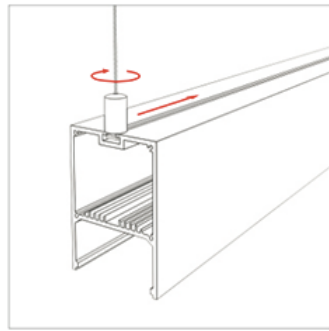


Suspended

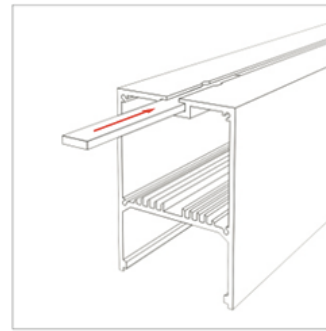
It is recommended that per every fixture 8' or less, two aircraft suspension cables are to be used at minimum.



1. Run low voltage wiring to the fixtures location.



2. Install cables on the profile and close end caps.



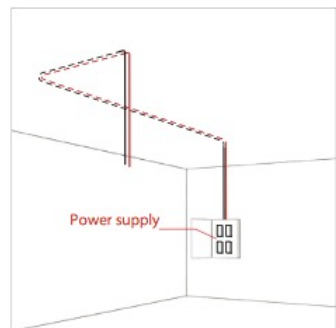
3. (8'+) Insert accessory into the profile.



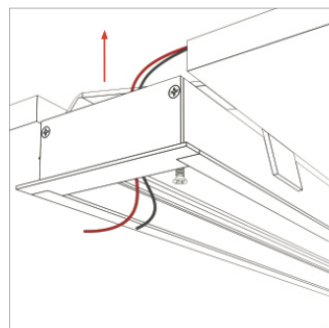
4. (8'+) Secure both fixtures together.

Recessed

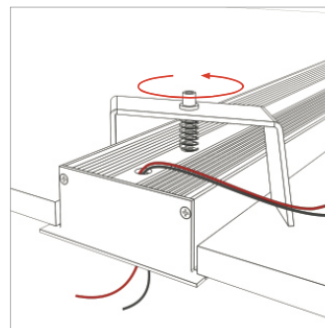
The profile can be recessed by securing it into a backing, such as ceiling stud (a 2x4).



1. Run low voltage wiring to the fixtures location.



2*. Position the profile into the selected location.



3*. Secure it into a backing (i.e. ceiling stud).



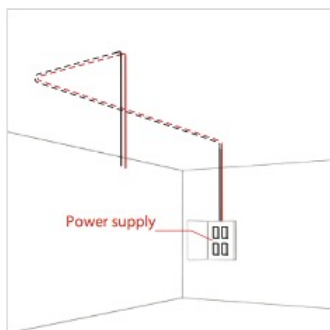
4. Continue to install the pre-aligned LED Strips then snap the diffuser in.

*(brackets in the image do not apply).

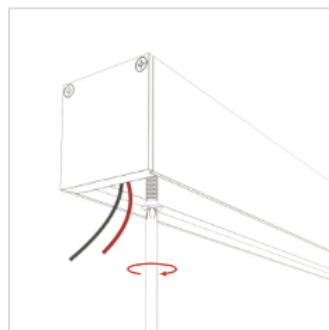
*(brackets in the image do not apply).

Surface Mounted

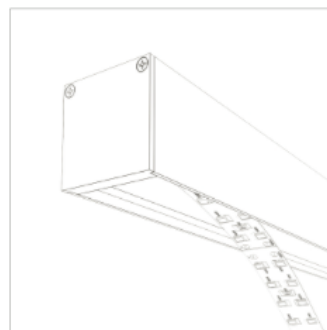
Ensure to prepare a wall/ceiling backing for the surface area in order for profile to have a sturdy connection.



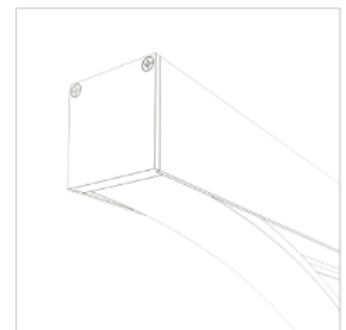
1. Run low voltage wiring to the fixtures location.



2. Carefully mount the profile onto the surface.



3. Continue to install the pre-aligned LEDs.



4. Check the light then snap the diffuser in.

**The images shown above may not represent the actual product and may not fully describe all of the required steps needed for the installation.*